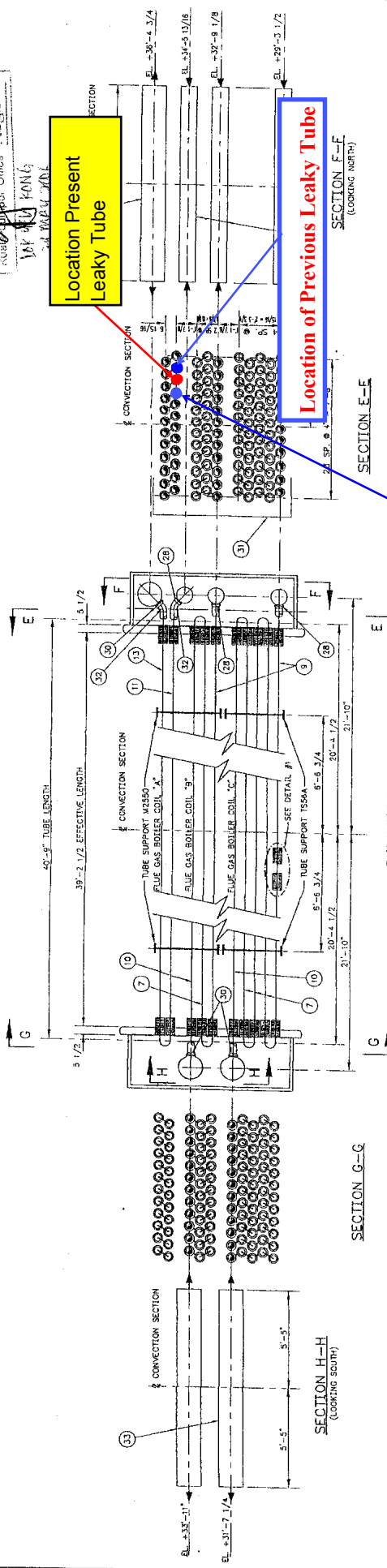


Lloyd's Water Verification Ltd
 11000
 187
 HONG
 2006



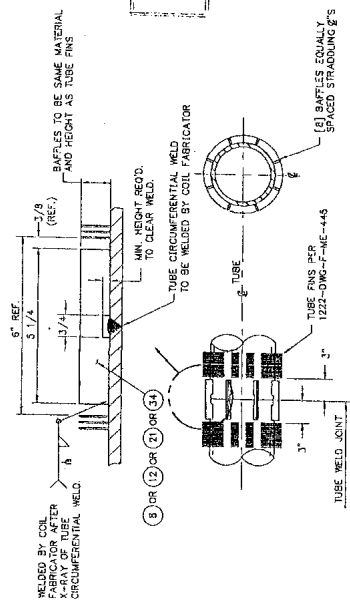
Location Present Leaky Tube

Location of Previous Leaky Tube

Location of Previous Leaky Tube

COPY TO	CC	FAB	SHIP	SUIF	PRO
DATE	08	08	MAR	2006	

APPROVED FOR CONSTRUCTION
 SYRIAKAT STEELCOR SDR. BHD.



DETAIL 1
 TYP. # EACH FINISHED TUBE SPLICE
 (SEE NOTE #5)

Hydrogen Complex Unit Z24 Train 04

DESIGNED BY	DATE	REV
CHECKED BY	DATE	REV
APPROVED BY	DATE	REV
PROJECT NO.	1222-DWG-F-ME-425	2 OF 2

CONVECTION COIL
 STEAM METHANE REFORMING FURNACE
 SYRIAKAT STEELCOR SDR. BHD.